



# INSTALLATION GUIDE

Your only source for **NO-SLACK®** technology



We make it **EASY**



search parts



cross reference



spec my truck



media library



contact



where to buy



submit photo



order tracking

[www.fifthwheel.com](http://www.fifthwheel.com)

# We Make it EASY

## Contents

### Installation instructions

Instructions	6000	7000	7000CC	H7	Custom Duty	Page
Installation Instructions	●	●	●	●		3
Custom Duty installation instructions					●	14

### Additional installation instructions based on mount used

Mounts	6000	7000	7000CC	H7	Custom Duty	Page
NWB light-weight outboard slide	●					4-5
LWB light-weight slide	●	●	●			6-7
AWB air slide bracket		●		●		8-9
PML stationary mount	●	●	●			10-11
PS5 plate mount stationary				●		12
FMA plate mount stationary	●	●	●			13
Custom duty mount					●	14



**IMPORTANT: Before specifying a fifth wheel refer to LT-076 Application Guide available in literature section at [fifthwheel.com](http://fifthwheel.com)**

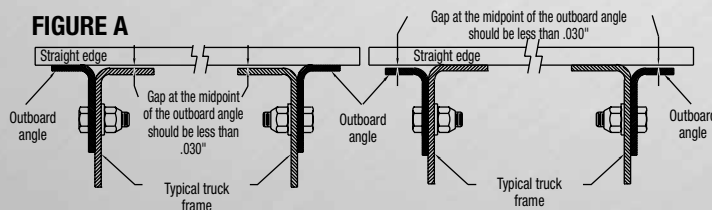
## Contents / Application information

# We Make it EASY

## Installation instructions

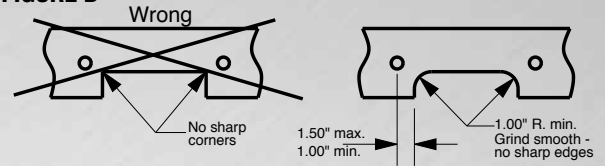
### General mounting instructions

1. **Do not** modify and/or customize any fifth wheel or mounting assembly without prior approval from Fontaine. Modifying or welding to the product without approval will void product warranty. Only Fontaine authorized procedures are acceptable. Welding must be performed by an AWS certified welder.
2. The fifth wheel should be installed with the pivot point of the fifth wheel located on or ahead of the rear axle. The installation shall be in accordance with DOT regulations, state and local ordinances, SAE and TMC practices and standards, and tractor manufacturers' recommendations.
3. All fifth wheels shall be located so that the tractor and trailer will maintain clearance at all times. On sliding fifth wheels, it may be necessary to "block out" forward slide positions.
4. All mounting fasteners must be a minimum of:  
5/8" (16.0mm) diameter - grade 8 bolts  
5/8" (16.0mm) diameter - grade C lock nuts  
5/8" (16.0mm) diameter - hardened flat washers
5. Outboard mounting angles shall be ASTM-A-36 or equal with a minimum thickness of 5/16" (7.9mm). If used in a Heavy Duty application mounting angles must be a minimum of 3/8" (9.5mm).
6. It is recommended that inboard mounting angles have a 4" (101.5mm) minimum vertical and horizontal leg and shall not be less than 36" (913.7mm) long (Stationary angle mounts only).
7. Welding of inboard mounting angles must be performed per criteria shown below.
8. It's recommended that outboard mounting angles have a minimum horizontal leg of 3" (76.2mm) and vertical leg of 3-1/2" (88.8mm)  
Note: This recommendation is primarily for aftermarket reference when exchanging/installing new mounting angles.
9. The full length, horizontal flange of the outboard mounting angles must be at the **same elevation** as the truck frame. The vertical leg of the angle must fit **flush** with the truck frame. **Warning: Failure to follow these specifications will void warranty and could affect product performance.**  
See Figure A.

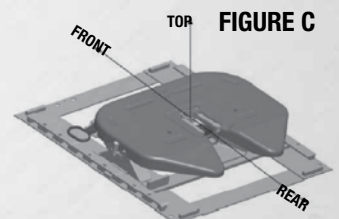


10. All mounting holes shall be drilled, not burned. All edges shall be ground smooth to prevent point loading. See Figure B.

FIGURE B



11. When required to clear obstructions, cutouts in the mounting angles shall be smooth and straight with a minimum radius of 1" (25.4mm). No sharp corners are permitted and all edges shall be ground smooth. A minimum of two bolts is recommended beyond a cutout.
12. Care must be taken to avoid interference or contact between the fifth wheel and any other component when rear of fifth wheel is depressed. In order to prevent this, it is recommended that a stop be used. The stop should be positioned so that contact is made with the fifth wheel mounting plate.
13. **Do not** restrict normal rock of fifth wheel. This could create a hazardous operating condition.
14. All fifth wheels subjected to weather abuse must be thoroughly cleaned, inspected, and lubricated prior to installation.
15. Fifth Wheels should be mounted in the proper orientation relative to the tractor (See Figure C. Do not mount the fifth wheel upside down or backward.
16. The trailer that is attached to the fifth wheel should impose a consistent vertical load. Repeated negative loading (trying to pull the fifth wheel off of the brackets with the kingpin) is not allowed. A minimum vertical static load applied to the fifth wheel through the trailer is 10% of the gross trailer weight.
17. **Do not** center load the fifth wheel. The vertical load should be distributed over the entire surface of the fifth wheel.
18. Fixed angle mounts (inboard angles) shall be flush with the top of the truck frame. (No gap between the truck frame and the angle). See Figure A on page 5.
19. **Do not** attempt to "block" any fifth wheel not designed specifically for this purpose.

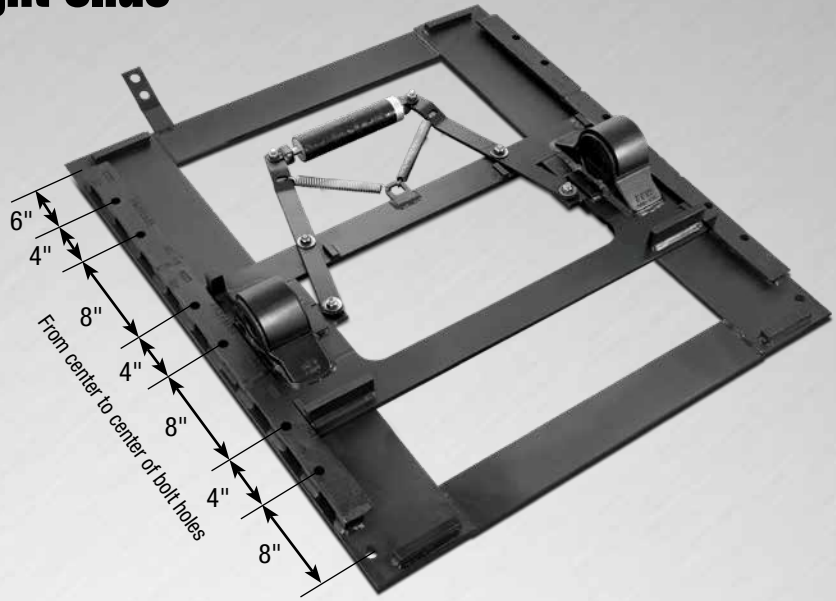


Refer to the application/restriction level guide in LT-076 Application Guide available in literature section at [fifthwheel.com](http://fifthwheel.com)

# We Make it EASY

## Installing **NWB** light weight slide

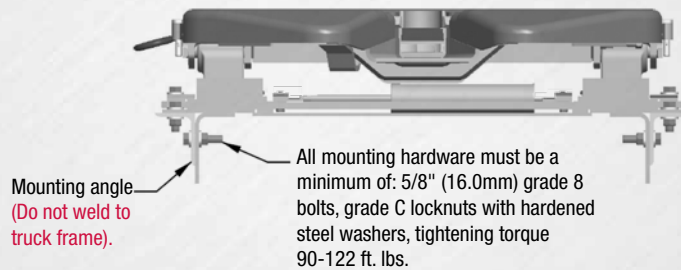
Adjustment of 24" shown. Greater adjustment requires longer angle and additional mounting bolts. The full length of the horizontal flange of the outboard mounting angles must be at the **same elevation** as the truck frame. The vertical leg of the angle must fit **flush** with the truck frame. See installation instructions of your fifth wheel pages 2.



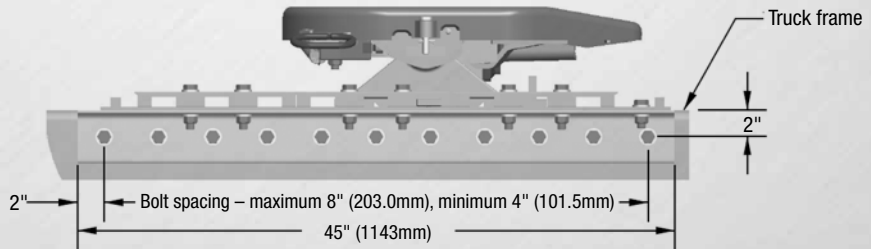
Available with these fifth wheel top plates



6000



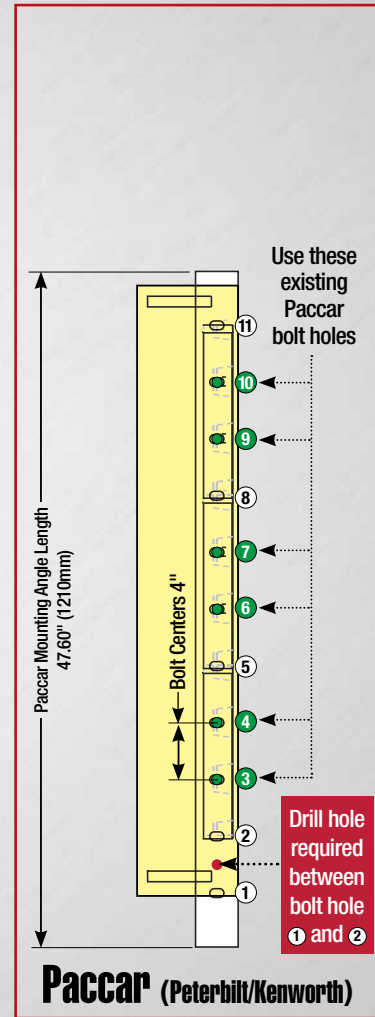
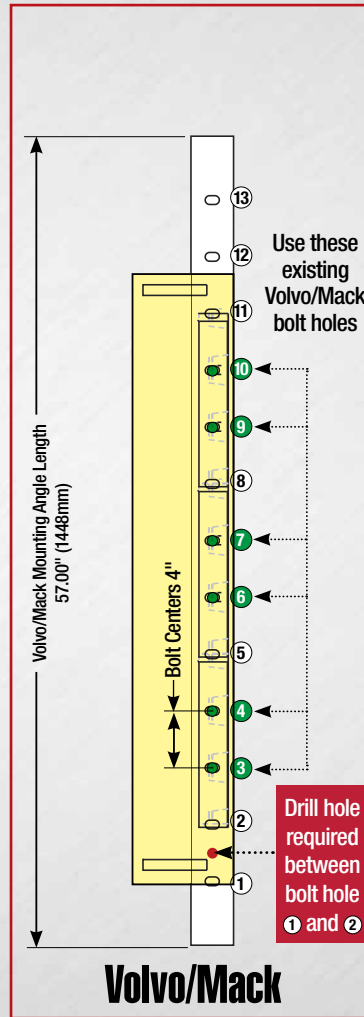
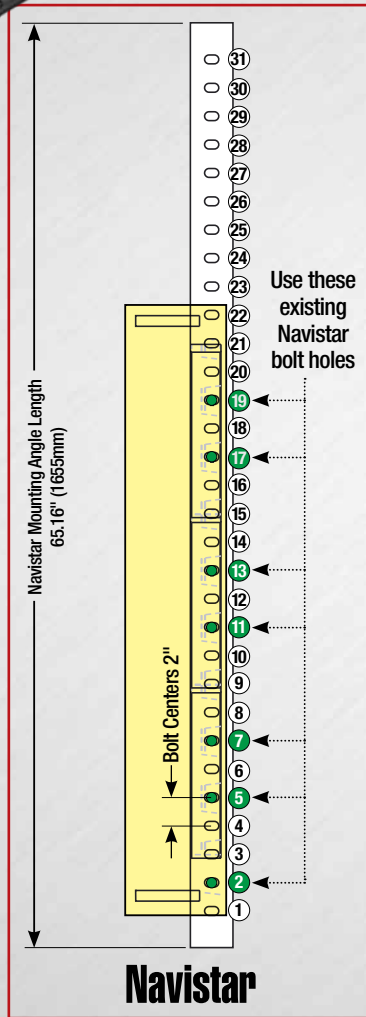
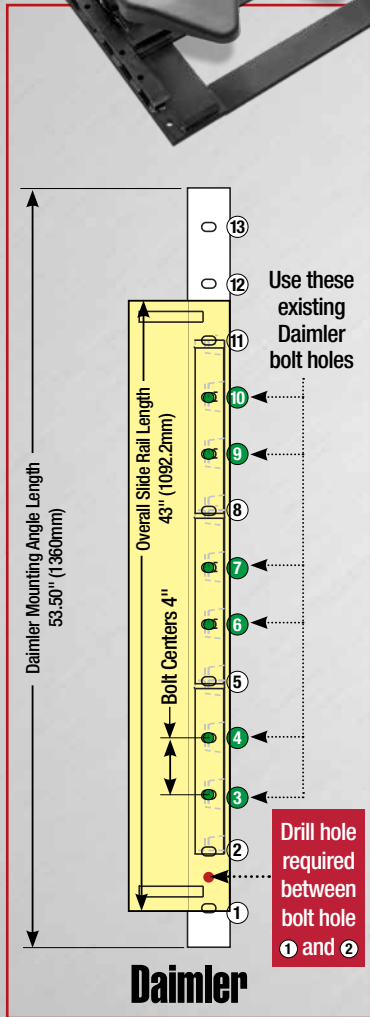
Mounting angle  
(Do not weld to truck frame).



We Make it EASY

# Installing 6NWB 24" Slides on existing OEM mounting angles

Note: All mounting angles provided below are standard OEM specified length mounting angles designed for 24" slide travel fifth wheels. Hole center spacing is based on OEM standards, front to rear hole alignment may vary. The 6NWB model represented below is for a 24" slide travel fifth wheel (43" overall rail length). The diagrams below place the (yellow) 6NWB in the recommended installation position on the mounting angle to illustrate the rearmost installation location. The green numbers represent the bolt locations for each OEM mounting angle. On some OEM models additional drilling is required for proper mounting (see red).



OEM names used for reference purposes only.

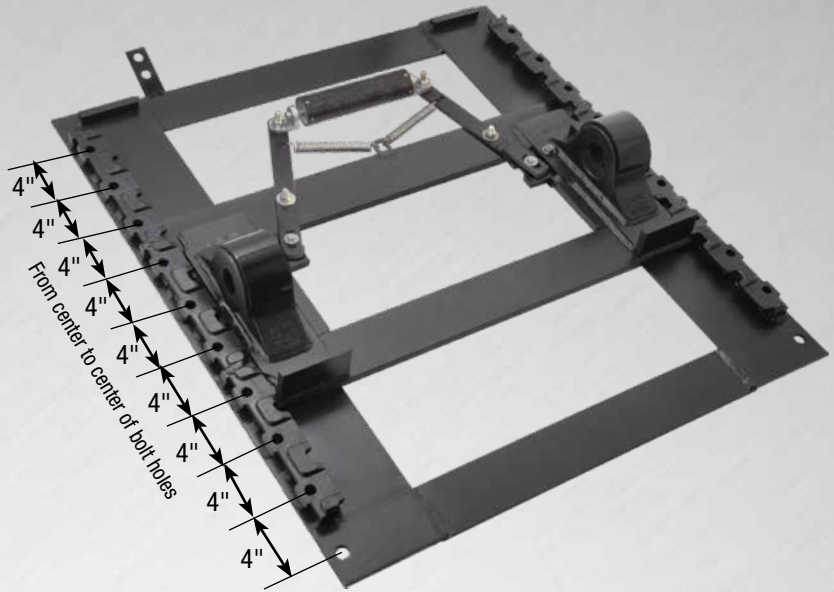
For additional instructions please refer to:  
"TMC RP 603C Fifth Wheel Mounting-Aftermarket."  
Documents available at [fifthwheel.com/convert/](http://fifthwheel.com/convert/)



# We Make it EASY

## Installing **LWB** light weight slide

Adjustment of 24" shown. Greater adjustment requires longer angle and additional mounting bolts. The full length of the horizontal flange of the outboard mounting angles must be at the **same elevation** as the truck frame. The vertical leg of the angle must fit **flush** with the truck frame. See installation instructions of your fifth wheel pages 3.



Available with these fifth wheel top plates



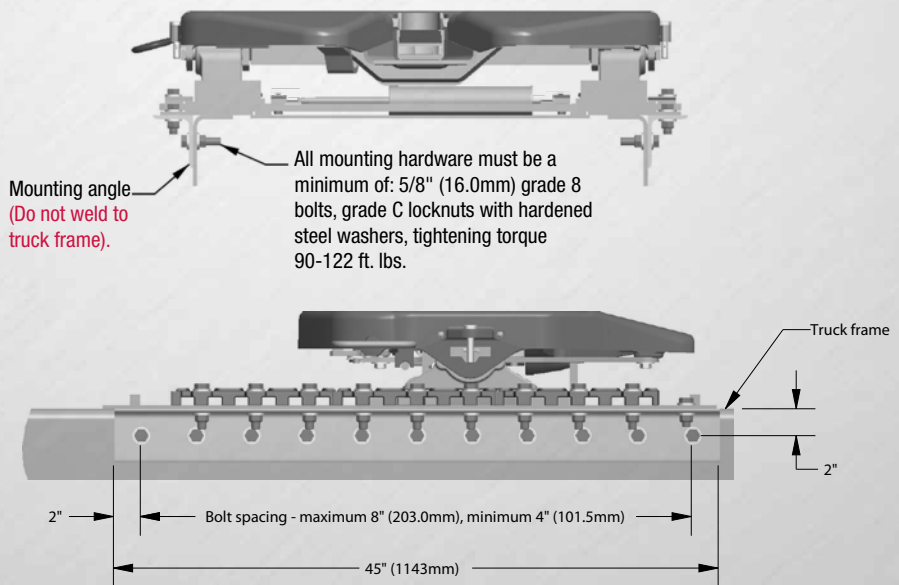
6000



7000



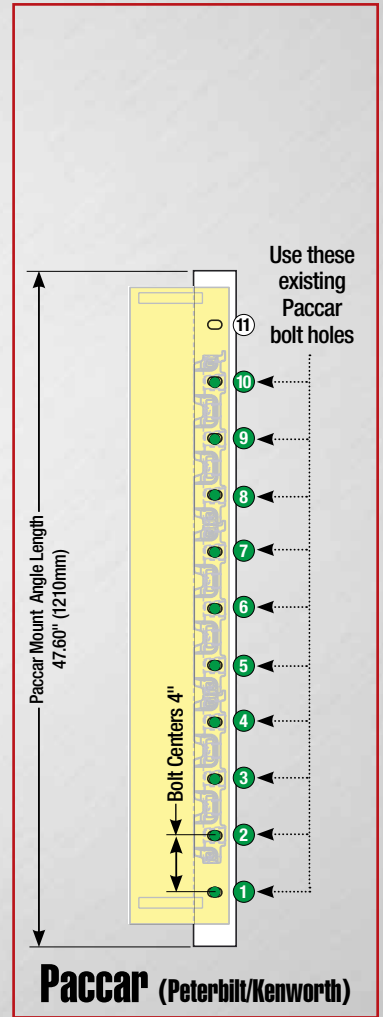
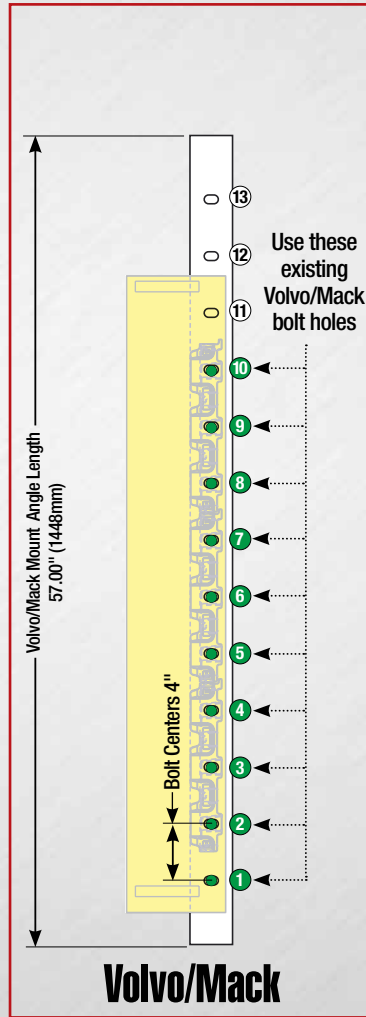
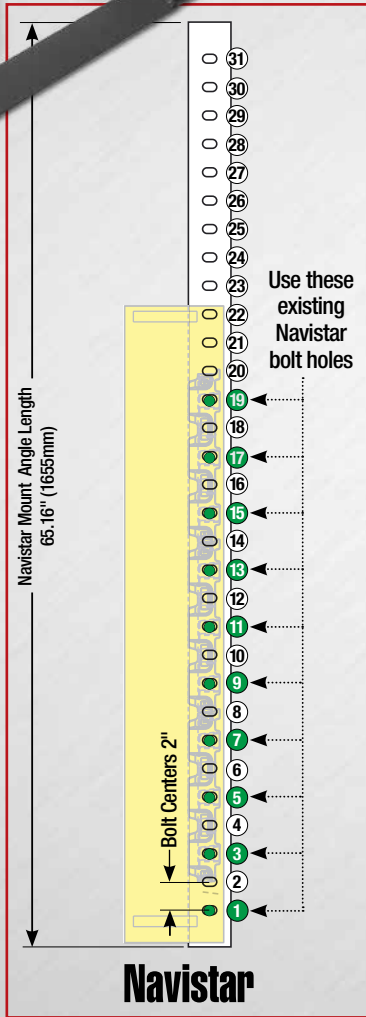
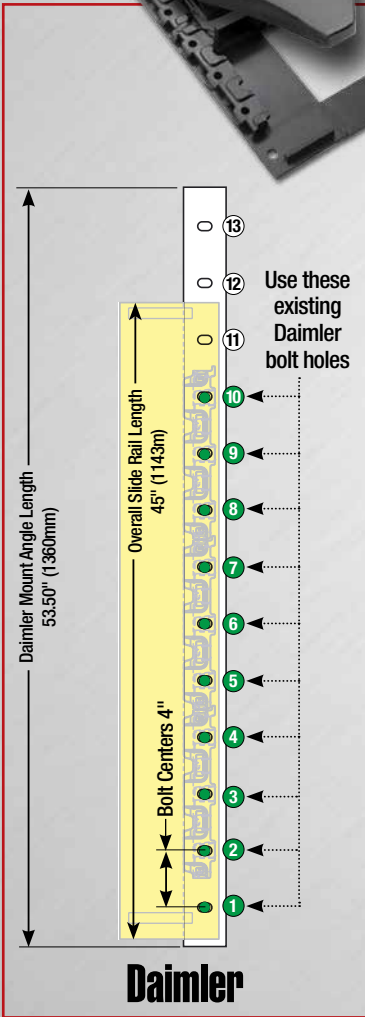
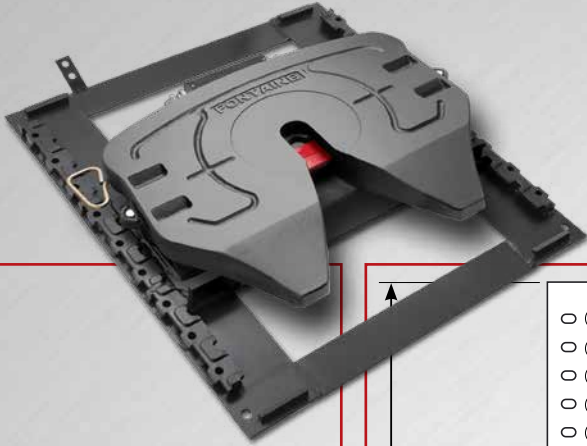
7000CC



We Make it EASY

# Installing No-Slack® LWB 24" Slides on existing OEM mounting angles

All mounting angles provided below are standard OEM specified length mounting angles designed for 24" slide travel fifth wheels. Hole center spacing is based on OEM standards, front to rear hole alignment may vary. The LWB model represented below is for a 24" slide travel fifth wheel (45" overall rail length). The diagrams below place the (yellow) LWB in the recommended installation position on the mounting angle to illustrate the rearmost installation location. The green numbers represent the bolt locations for each OEM mounting angle. No drilling is required for LWB on these OEM mounting angles.



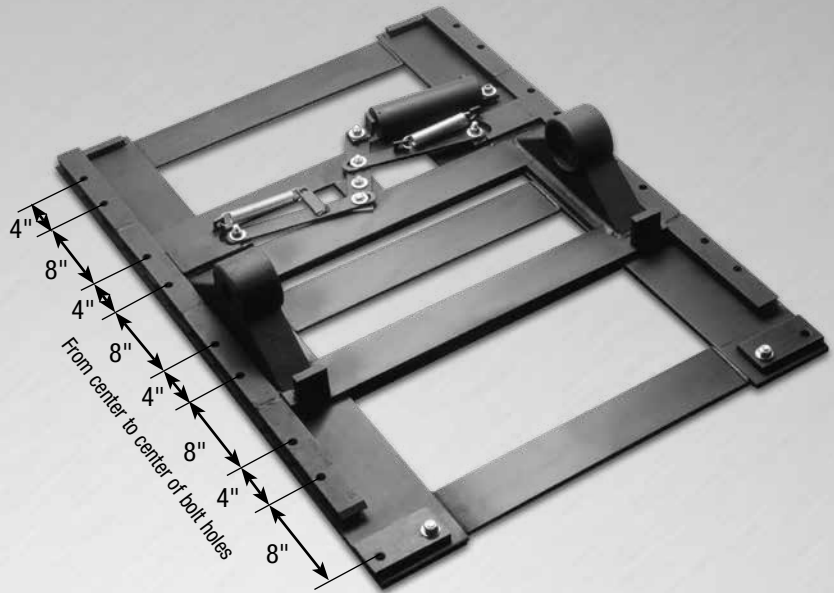
OEM names used for reference purposes only.

For additional instructions please refer to:  
 "TMC RP 603C Fifth Wheel Mounting-Aftermarket."  
 Documents available at [fifthwheel.com/convert/](http://fifthwheel.com/convert/)

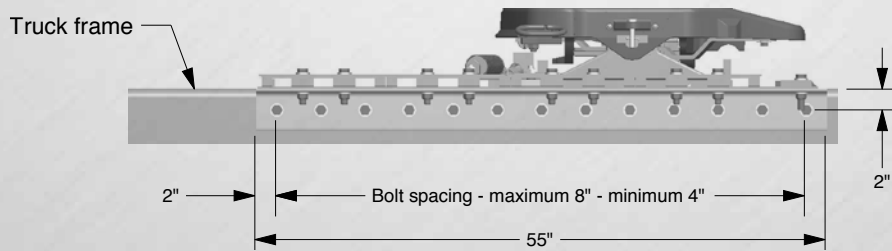
# We Make it EASY

## Installing **AWB** slide

Adjustment of 24" shown. Greater adjustment requires longer angle and additional mounting bolts. The full length of the horizontal flange of the outboard mounting angles must be at the **same elevation** as the truck frame. The vertical leg of the angle must fit **flush** with the truck frame. See installation instructions of your fifth wheel pages 3.



Available with these fifth wheel top plates

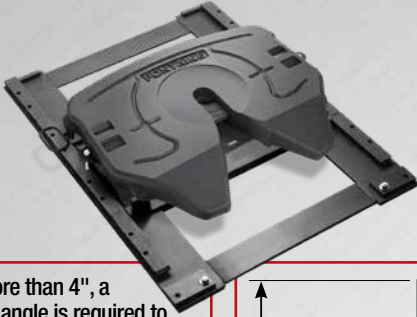




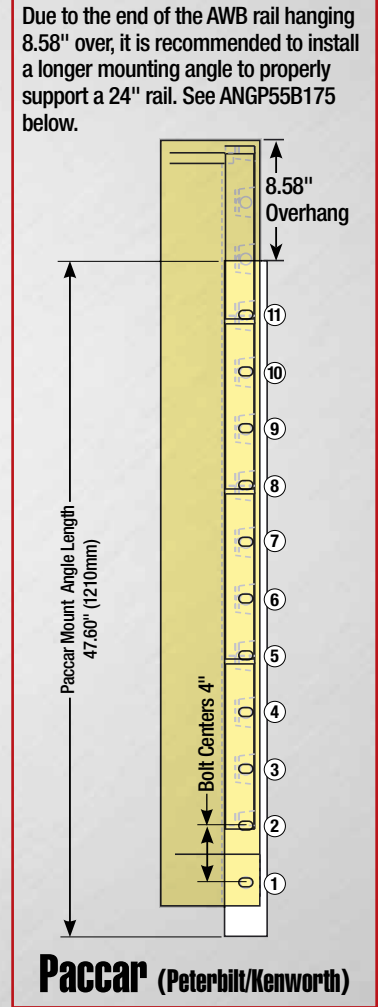
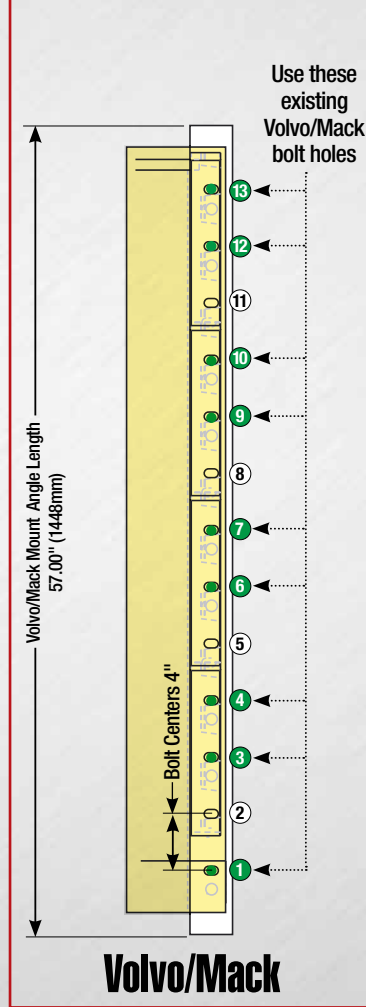
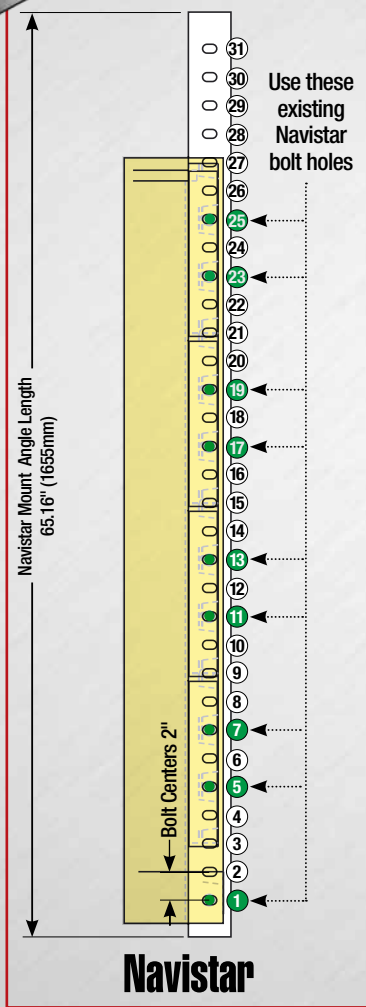
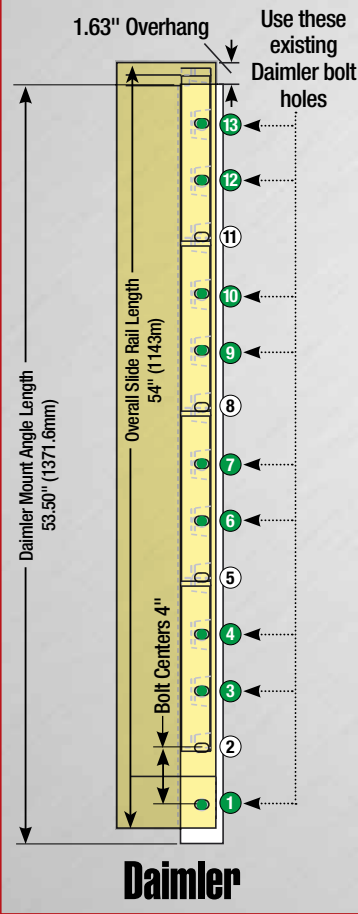
We Make it EASY

# Installing No-Slack® AWB 24" Slides on existing OEM mounting angles

All mounting angles provided below are standard OEM specified length mounting angles designed for 24" slide travel fifth wheels. Hole center spacing is based on OEM standards, front to rear hole alignment may vary. The AWB model represented below is for a 24" slide travel fifth wheel (54" overall rail length). The diagrams below place the (yellow) AWB in the recommended installation position on the mounting angle to illustrate the rearmost installation location. The green numbers represent the bolt locations for each OEM mounting angle. No drilling is required for AWB on these OEM mounting angles. However, the Paccar models will need a longer mounting angle to accommodate the 54" long AWB.



If overhang is more than 4", a longer mounting angle is required to properly support the rail.



OEM names used for reference purposes only.

For additional instructions please refer to:  
 "TMC RP 603C Fifth Wheel Mounting-Aftermarket."  
 Documents available at [fifthwheel.com/convert/](http://fifthwheel.com/convert/)

For Paccar vehicles, install this longer mounting angle.

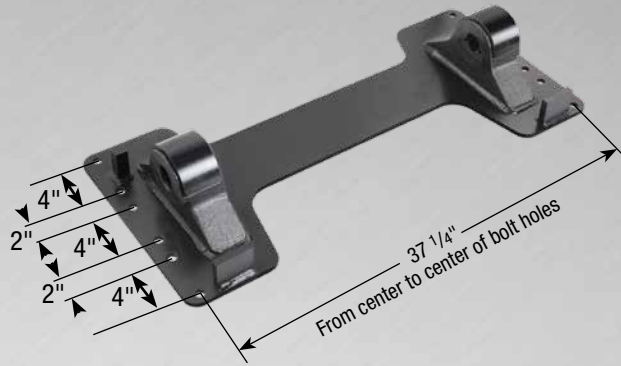
Part Number	Angle Length	Weight	Truck Frame Width
ANGP55B175	55" (1,397mm)	78 lbs (35kg)	33.25" (845mm) to 34.25" (870mm)

Mounting angles 3/8" x 3" x 4"

# We Make it EASY

## Installing PML plate mount

Overall length of 18" shown. The full length of the horizontal flange of the outboard mounting angles must be at the same elevation as the truck frame. The vertical leg of the angle must fit flush with the truck frame. See installation instructions of your fifth wheel pages 3.



Available with these fifth wheel top plates



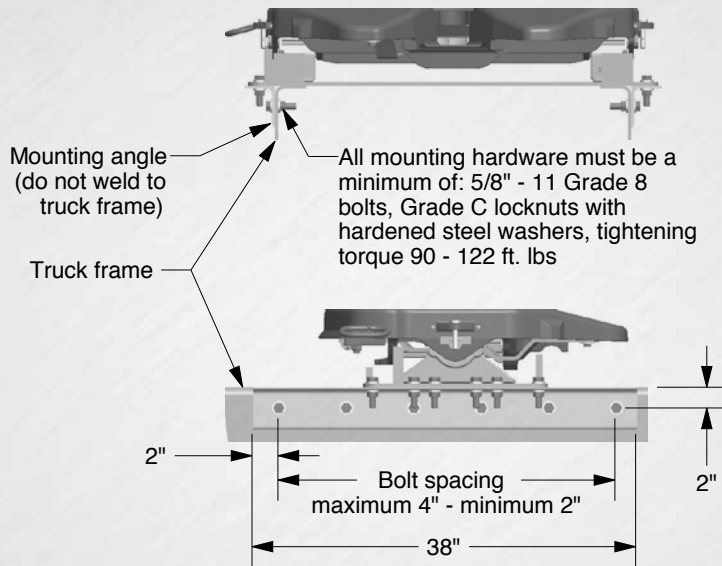
6000



7000



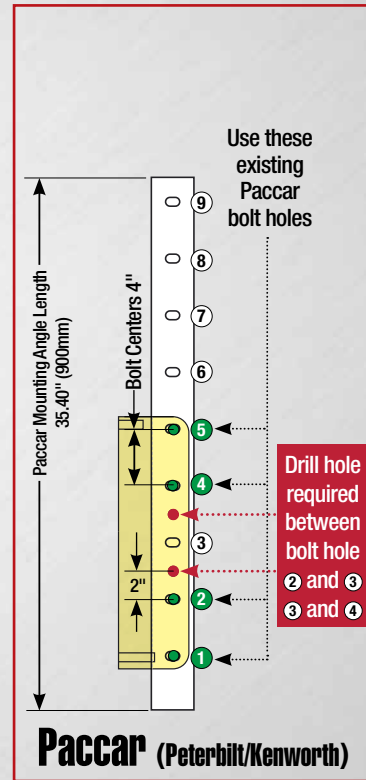
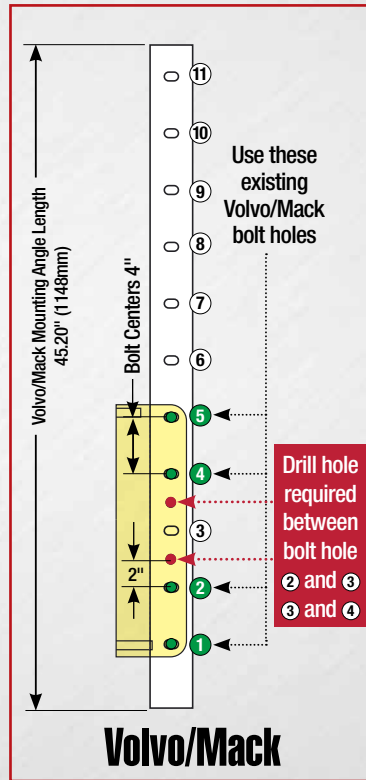
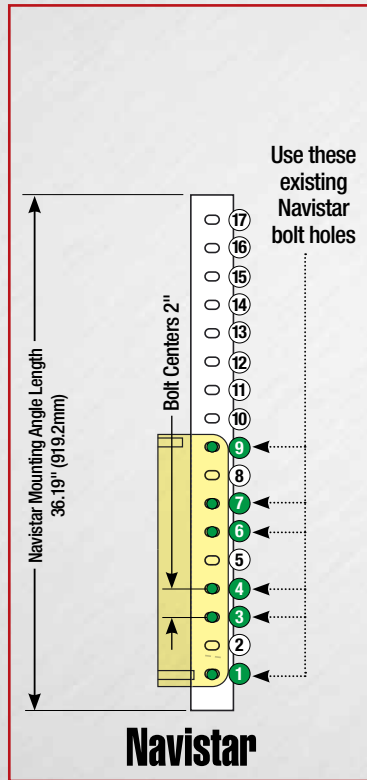
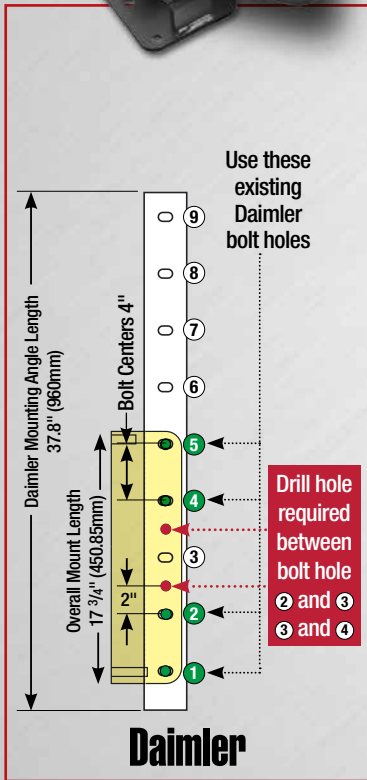
7000CC



We Make it EASY

# Installing PML on existing OEM mounting angles

Note: All mounting angles provided below are standard OEM specified length mounting angles designed for 12" slide travel fifth wheels, and will work for stationary fifth wheel applications as well. Hole center spacing is based on OEM standards, front to rear hole alignment may vary. The 6PML model represented below is a stationary fifth wheel mount (overall mount length is 17.75"). It is shown in the recommended installation position on the mounting angle to illustrate the rearmost installation location. The green numbers represent the bolt locations for each OEM mounting angle. On some OEM models additional drilling is required for proper mounting (see red).



OEM names used for reference purposes only.

For additional instructions please refer to:  
 "TMC RP 603C Fifth Wheel Mounting-Aftermarket."  
 Documents available at [fifthwheel.com/convert/](http://fifthwheel.com/convert/)

# We Make it EASY

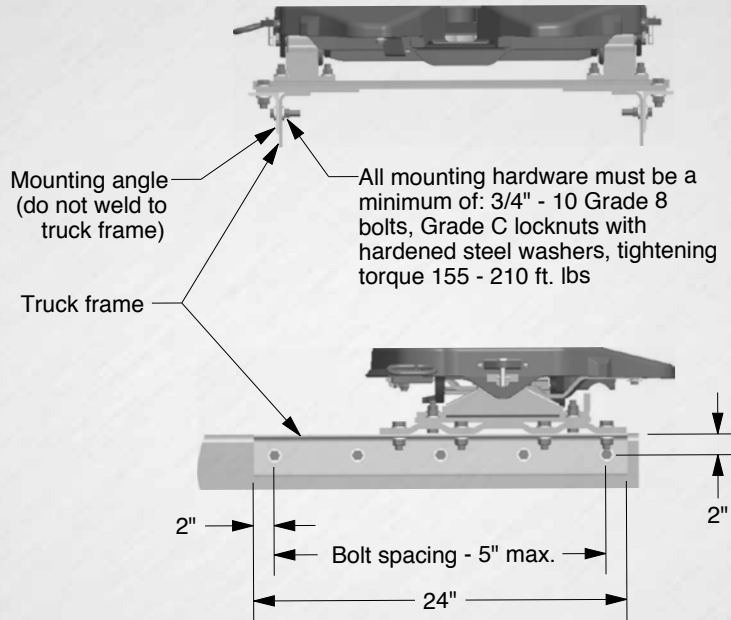
## Installing PS5 plate mount

The full length of the horizontal flange of the outboard mounting angles must be at the **same elevation** as the truck frame. The vertical leg of the angle must fit **flush** with the truck frame. See installation instructions of your fifth wheel pages 3.



ASYPS58375 shown here.

Available with this fifth wheel top plates



We would recommend that a thicker angle be used (1/2") due to the hole centers being 38" wide.

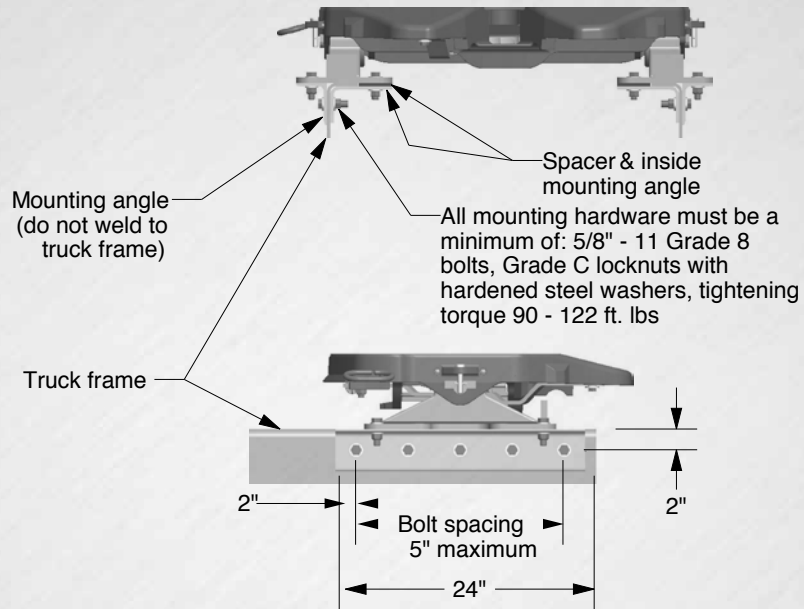
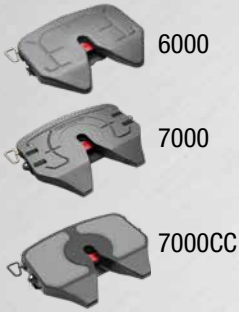
# We Make it EASY

## Installing **FMA** stationary bracket

The full length of the horizontal flange of the outboard mounting angles must be at the **same elevation** as the truck frame. The vertical leg of the angle must fit **flush** with the truck frame. The full length of the vertical and horizontal legs of the inboard angles must be **flush** with the inside of the truck frame. See installation instructions of your fifth wheel pages 3.



Available with these fifth wheel top plates





# Custom Duty (CD) installation instructions

## Custom Duty (CD) fifth wheels



Custom Duty

### General mounting instructions

1. **Do not** modify and/or customize any fifth wheel or mounting assembly. Modifying or welding to the product will void product warranty. Only Fontaine authorized procedures are acceptable. Welding must be performed by an AWS certified welder.
2. Installation shall be in accordance with DOT regulations, state and local ordinances, SAE and TMC practices and standards, and tractor manufacturers' recommendations.
3. All fifth wheels shall be located so that the tractor and trailer will maintain clearance at all times. On sliding fifth wheels, it may be necessary to "block out" forward locations.
4. All mounting fasteners must be a minimum of:
  - 5/8" diameter - grade 8 bolts
  - 5/8" diameter - grade C lock nuts
  - 5/8" diameter - hardened flat washers
5. All mounting holes shall be drilled, not burned. All edges shall be ground smooth to prevent point loading.
6. When required to clear obstructions (such as spring hangers) cutouts shall be smooth and straight with a minimum radius of 1". No sharp corners are permitted and all edges shall be ground smooth. A minimum of two bolts is recommended beyond a cutout.
7. Do not restrict normal rock of fifth wheel. This could create a hazardous operating condition.

8. All fifth wheels subjected to weather abuse must be thoroughly cleaned, inspected, and lubricated prior to installation.

9. Fifth wheels with sliding or fixed mounts should be mounted in the proper orientation relative to the tractor. See FIGURE I.

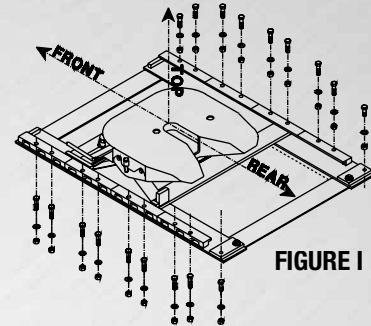


FIGURE I

- Do not** mount the fifth wheel upside down or backwards.
10. The trailer that is attached to the fifth wheel should impose a consistent vertical load. Repeated negative loading (trying to pull the fifth wheel off of the brackets with the king pin) is not allowed. A **minimum** vertical static load applied to the fifth wheel through the trailer is 10% of the gross trailer weight. See the load rating for the specific fifth wheel for maximum vertical load values.
  11. **Do not** center load the fifth wheel. The vertical load should be distributed over the entire surface of the fifth wheel.

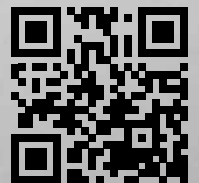
# Get the APP!

Everything you need to know about Fontaine fifth wheels ...  
at your fingertips.

- Find repair kits
- Track your shipments
- Spec your truck
- Find a location near you
- View literature and Videos
- Troubleshoot problems
- Cross reference



[www.fifthwheel.com/app](http://www.fifthwheel.com/app)



Scan or go to  
[fifthwheel.com/app](http://fifthwheel.com/app)

# We Make it EASY Helpful On-Line Information

Scan these links, or go to [fifthwheel.com](http://fifthwheel.com)

## How to select fifth wheel



*Choose "Support"  
menu, then "Spec my  
Truck"*

## Operation/Maintenance Videos



*Choose "Videos"  
menu.*

## Troubleshooting Support



*Choose "Support"  
menu Then  
"Troubleshooting"*

## Helpful Documents



*Choose "Literature"  
menu.*



**FONTAINE**<sup>®</sup>  
FIFTH WHEEL

[www.fifthwheel.com](http://www.fifthwheel.com) • 800-874-9780 • Email: [parts@fifthwheel.com](mailto:parts@fifthwheel.com)

©2020 Fontaine Fifth Wheel • LT-181 • May 2020 R6

Get the app @ [FifthWheel.com/app](http://FifthWheel.com/app)

FontaineFifthWheel

@FifthWheelParts



A Marmon |  
Berkshire Hathaway  
Company